

Guarantee.

You will need to provide proof of purchase in the event of a claim.

The product is guaranteed against faulty materials and manufacture for a period of one year from the date of purchase.

The guarantee does not include faults or damage caused by the following:

- Wear and tear of normal use.
- Incorrect installation.
- Water quality
- Improper operation, tampering, incorrect maintenance.
- Internal problems caused by particles and debris.
- Freezing, ice.
- The use of improper cleaning materials.

This product is for domestic use only.

The guarantee in no way affects the statutory rights of the consumer.

TECHNICAL HELPLINE. 01959 560760

Gainsborough Bathroom Products Ltd.

Customer Services Department

The Flyers Way

Westerham, TN16 1DE.

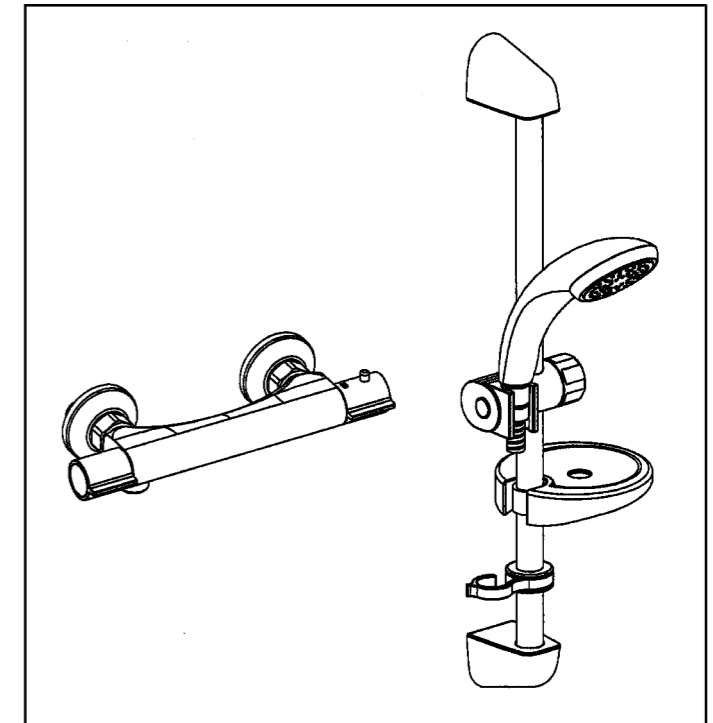
www.gainsboroughshowers.co.uk

Thermostatic Bar Shower Mixer

Complete with Shower Kit.

Installation & Maintenance Instructions.

Gainsborough GS200



IMPORTANT

This product must be fitted in accordance with the latest Water Regulations Guide which include the Water By Laws 2000 (Scotland)
Please retain this instruction leaflet for future reference to ensure optimum shower valve performance.

Installation.

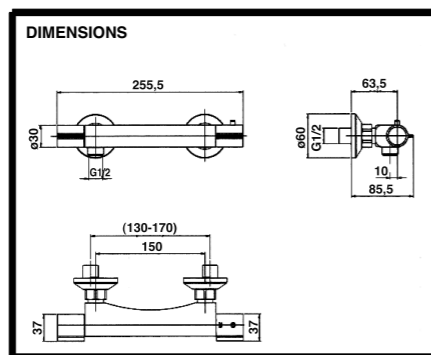
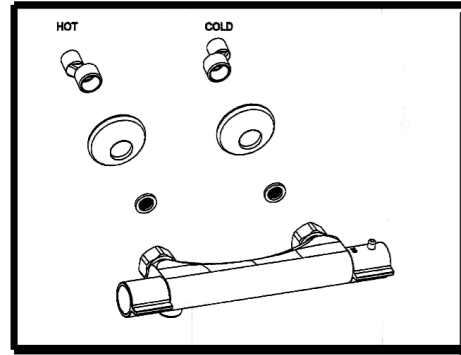
This product must be fitted in accordance with the Water Byelaw Regulations.

IMPORTANT. Flush pipework prior to fitting the mixer. Do not allow dirt or metal particles to block the water inlets, once the pipes have been flushed, turn off the water.

We recommend the fitting of Full Flow ball type isolation valves to assist should any maintenance work be required.

FITTING

1. The pipework should be arranged to supply the mixer at 150mm centres. The connectors supplied with the mixer allow flexibility for the actual supply pipes. Ensure that the hot supply is to the left, marked with a red dot when looking at the mixer from the front. The connection for the hose will then be under the mixer and the temperature control to the right.
2. Install the pipework up to the shower area and to the mixer's eccentric connectors provided.
3. Fit the wall cover plates to the 3/4" BSP threads on the connectors.
4. The 3/4" BSP ends of the connectors should be protruding from the wall and at 150mm centres.
5. Screw the mixer's 3/4" swivel backnuts onto the connectors. Make sure that you have inserted the sealing washer.
6. Tighten the swivel backnuts carefully ensuring that you do not damage the chrome plating.
7. Turn the water on and test for leaks.



Hot Water Supply.

This mixer is suitable for any water heating system. In the case of Combination Boilers, the appliance must have a minimum domestic hot water rating of 24kW (80,000BTU) and be of the type fitted with a fully modulating gas valve. If in any doubt, please contact the appliance manufacturer before installation commences.

PLEASE NOTE: DUE TO PERFORMANCE CHARACTERISTICS OF COMBINATION BOILERS, THE SHOWER FLOW RATE MAY VARY WITH CHANGES TO THE COLD WATER MAINS INLET TEMPERATURE.

Specification.

Hot Water Supply: Recommended: 60-65C

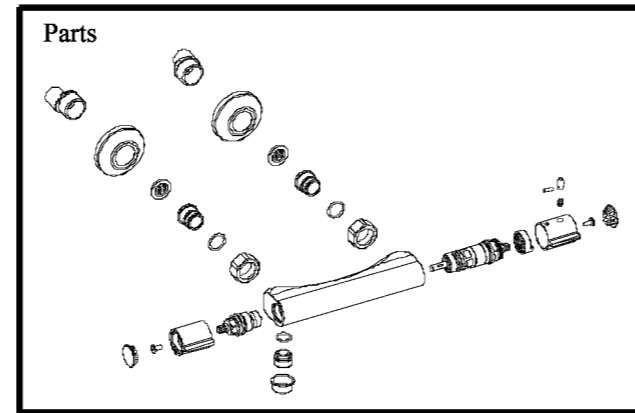
Operating Pressure: Min: 0.2bar – Max: 5bar
Recommended: 0.5bar

IMPORTANT:

A 10C DIFFERENCE MUST BE MAINTAINED BETWEEN SYSTEM HOT WATER TEMPERATURE AND THE MIXER'S MAXIMUM HOT WATER TEMPERATURE.

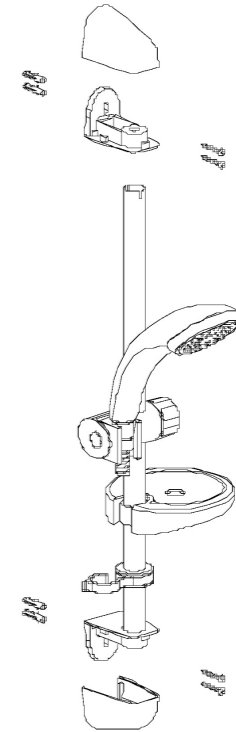
Hot and Cold water pressures supplying this mixer must be balanced and from a common source.

Should the water pressure be higher than 5bar fit a pressure reducing valve before the mixer. (Not supplied).



Aftercare Instructions.

Whilst modern plating techniques have been used in the finishing of this product the surfaces will suffer if not cleaned correctly. Clean this product with a soft cloth and clean water. The product must not be cleaned or come into contact with any abrasive agents or materials. If this occurs the guarantee will be invalid.



SHOWER KIT INSTALLATION

Position brackets in the desired position and mark drill hole, suitable for the intended wall plugs. Once wall plugs have been inserted connect rail to the fixing brackets and secure using the screws provided. Replace the clip-on bracket covers to complete the installation.

